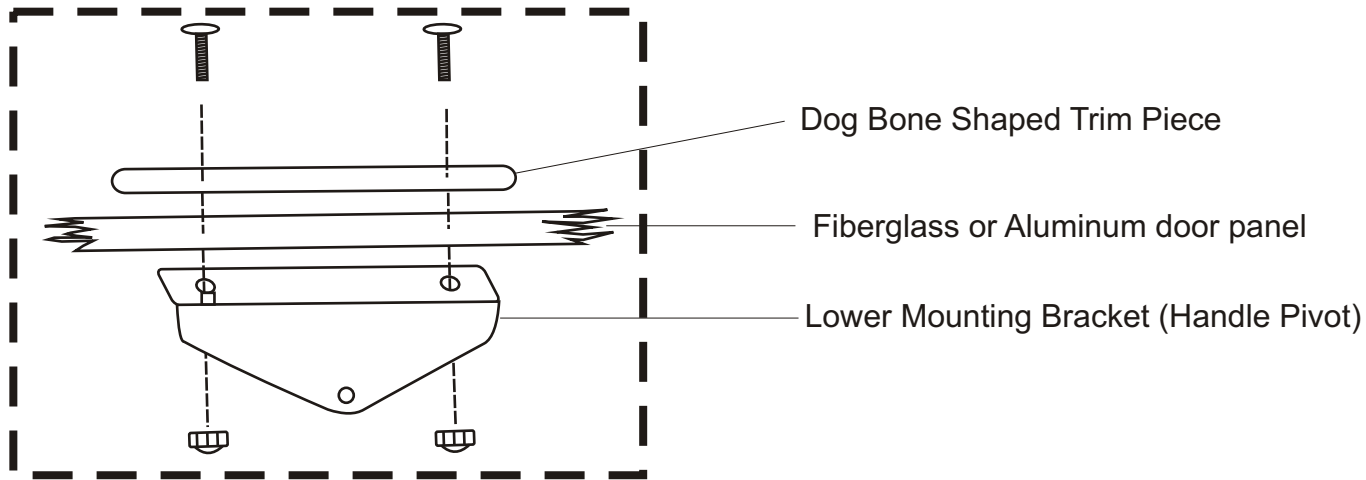


# Inner Door Handle Kit

P/N C1040 & C1050



1. Remove door panel or cut two access holes in fiberglass door near latch and one near handle.

2. With rod ends threaded halfway on rod, attach one end to door latch assembly.

3. Hold handle up and lean slightly forward and then mark the top of the door or panel.

4. Use dog bone shaped trim piece as a template to mark the hole and slot.

5. Cut out door or door panel and bolt assembly together. Door or door panel gets sandwiched in between trim pieces and lower mount.

6. Re-install door panel.

